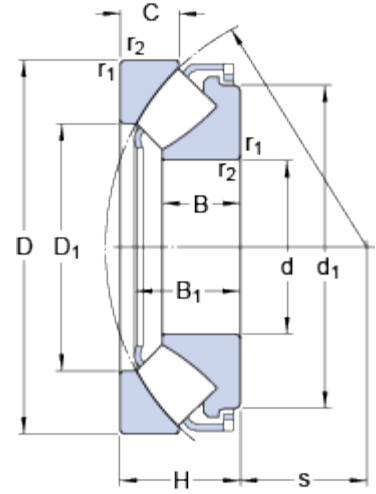


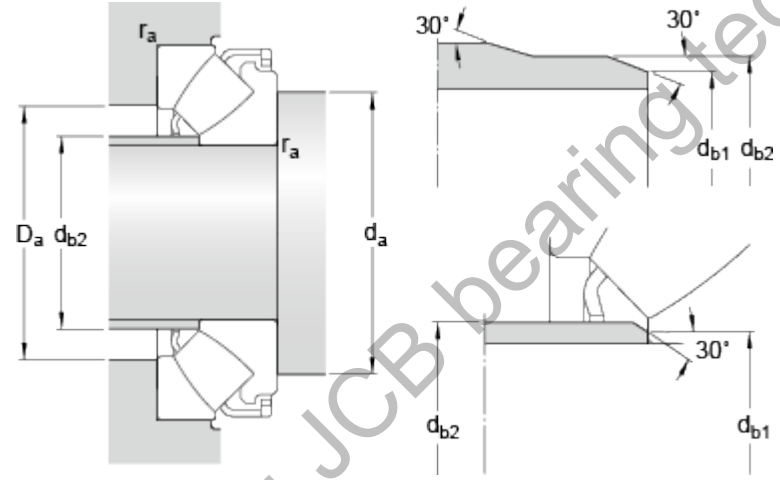
# 29413 E

## Dimensions



d	65	mm
D	140	mm
H	45	mm
d <sub>1</sub>	≈ 120	mm
D <sub>1</sub>	≈ 91.5	mm
B	29.5	mm
B <sub>1</sub>	39.8	mm
C	22	mm
s	42	mm
r <sub>1,2</sub>	min. 2	mm

## Abutment dimensions



d <sub>a</sub>	min. 100	mm
d <sub>b1</sub>	max. 72	mm
d <sub>b2</sub>	max. 72	mm
D <sub>a</sub>	max. 117	mm
r <sub>a</sub>	max. 2	mm

## Calculation data

Basic dynamic load rating	C	455	kN
Basic static load rating	C <sub>0</sub>	1080	kN
Fatigue load limit	P <sub>u</sub>	137	kN
Reference speed		2600	r/min
Limiting speed		4800	r/min
Minimum axial load factor	A	0.11	

## Mass

Mass bearing		3.2	kg
--------------	--	-----	----